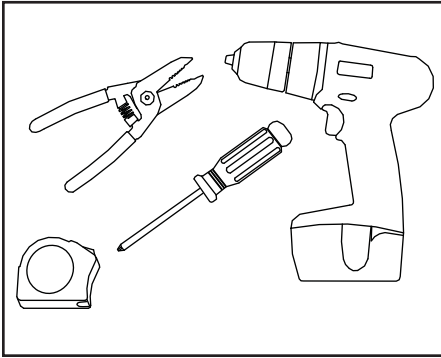
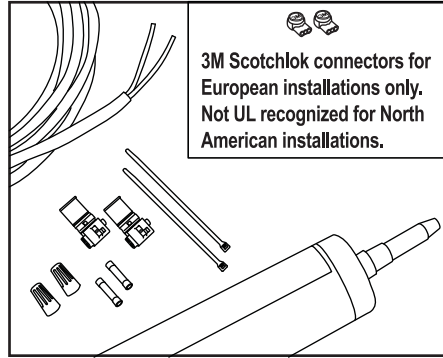


# PosterBOX Module

Installation Guide for part number 701946-CWPBM and 701946-NWPBM



**Tools required:** Measuring tape, wire strippers, drill, and screwdriver.

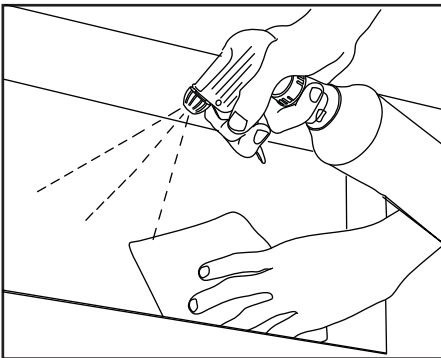


**Supplies required:** Wire nuts, IDC connectors or butt splices. Optional: PLTC cable, cable ties, screws and silicone. (3M Scotchlok connectors for European installations only.)

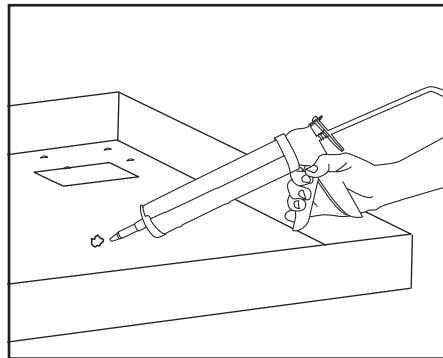
## Preparation for Install

**RETROFITS:** For Retrofits refer to installation guide 400897-RET. This guide can be found on the SloanLED website under technical info or contact your SloanLED Customer Service Representative at 888.747.4LED

**NOTE:** All materials removed must be disposed of in accordance with applicable local, state and federal laws.

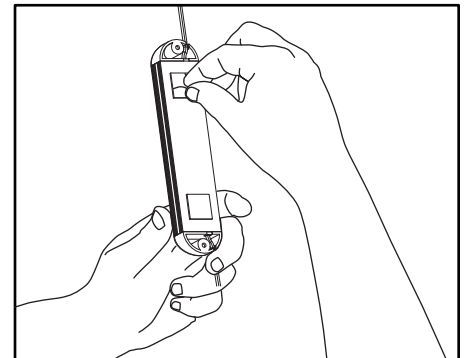


**Clean sign box:** Using a non-oil based cleaner, clean the inside surface of the sign. Be sure to clean any mounting surfaces with alcohol for proper tape adhesion.

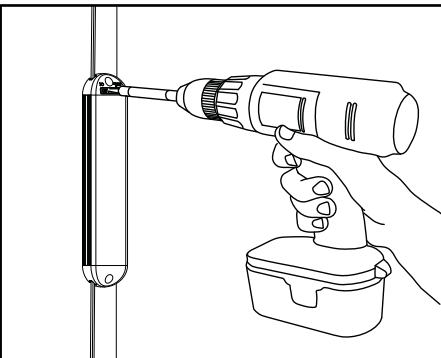


**Patch box for replacements or retrofits:** Patch any pre-existing holes in the sign to avoid water damage to the building and sign. Openings smaller than 1/2 in (13 mm) diameter may be sealed with non-hardening outdoor caulk. Openings larger than 1/2 in (13 mm) diameter require a metal patch secured by screws or rivets and caulked with non-hardening outdoor caulk.

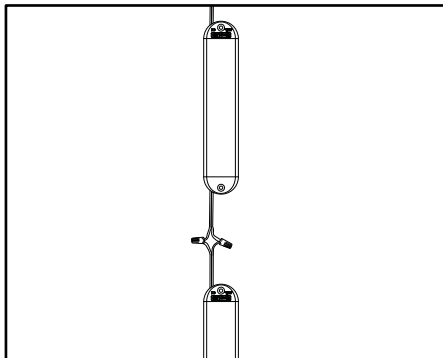
## Installation



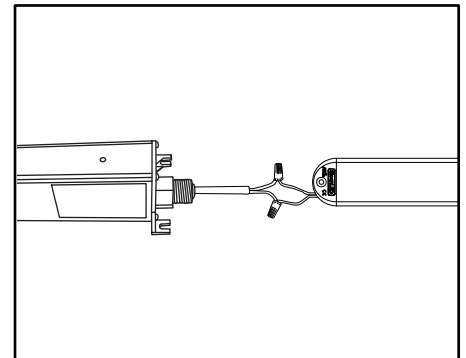
**1. Peel and stick:** Using provided double stick tape, mount PosterBOX Modules to sides of sign box. For best performance it is recommended that the modules be mounted flush against the rear wall of the sign box.



**2. Fasteners:** If desired, modules can be secured using #8 (M4) pan head sheet metal screws or 5/32 in (4 mm) aluminum rivets.



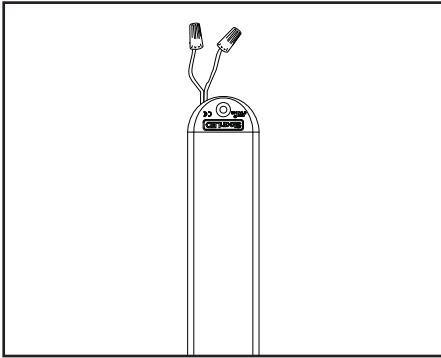
**3. Connect modules:** Each module has 2 ft (0,6 m) of wiring on each side. Cut wires as needed leaving enough to connect the modules. Modules may be connected in series or parallel.



**4. Connect modules to power supply:** Using UL listed electrical connectors, daisy chain modules as required and connect poster box modules to power supply. Modules may be daisy chained in series or parallel configurations.

# PosterBOX Module

Installation Guide for part number 701946-CWPBM and 701946-NWPBM



**WARNING Check polarity:**  
 All connections must be RED-TO-RED (+) and BLACK-TO-BLACK (-). Reverse polarity connections may damage the LEDs and will void product warranty.

**5. Cap all unused wires:** The strand of modules should not be looped to create a closed circuit.

For layout guidelines for PosterBOX Module either test or contact your SloanLED Customer Service Representative for recommendations.

**12 VDC Power Supply capacity table for PosterBOX Module**

Power Supply	Part # (Each)	Input		Output		Maximum Whole Modules per Power Supply
		Nominal Input Voltage	Input Current	Power Output	Output Current	
Self Contained 20	701680	120-240 V	0.3 A	20 W	1.5 A	2
Mod 60	701507-ModW	120-240 V	1.0 A	60 W	4.5 A	7
Mod 60-277	701507-Mod277	277-347 V	0.5 A	60 W	4.5 A	7
Quad 240*	701495	120-240 V	3.6 A	240 W	4.5 A / Leg	28
All footage based on 90% of rated capacity		Power used per Module in Watts: 7.2				

\*Quad 240 has four output legs; footages expressed are total (divide by four for footage per leg)

**Extension of Power Supply Leads**

If longer lead wire from power supply to LED modules is needed, an extension can be used. Extension should be kept as short as possible: under 15 ft for 18 AWG UL Listed PLTC or under 50 ft for 14 AWG UL Listed PLTC. (4,6 m for 1 mm<sup>2</sup> or under 15,2 m for 2.5 mm<sup>2</sup>).

**Troubleshooting:**

<b>Entire box or leg does not light after complete installation.</b>	Check connection from power supply lead to first module. Make sure polarity of connections made at the power supply lead, between modules and any jumper wire is correct. All connections must be RED-TO-RED and BLACK-TO-BLACK.
<b>Still does not light.</b>	Check output voltage of power supply using a voltmeter. The output voltage should be DC 12.0 V ± 0.5 V. If there is no output voltage, have a licensed electrician check input voltage. Make sure power supply is connected correctly and getting primary power. If power supply is connected properly and getting primary power and there is still no output voltage, try a different power supply.
<b>Still does not light.</b>	If power supply is getting primary power and the modules don't light, there may be a short in the secondary wiring. Check all connections and cap all loose wires.
<b>The beginning of a leg lights, but the entire leg does not light or lights intermittently.</b>	The primary cause of a portion of a PosterBOX Module leg not lighting or lighting intermittently is a bad connection or reverse polarity connection between the modules that light and the modules that don't light. Check this connection.
<b>One module does not light, but all others in the leg light.</b>	PosterBOX Module is designed so if one module fails, it will not cause the entire sign or leg to go out. If one module does not light, but all others in the leg do, replace this module with a new one.

PosterBOX system is covered by CN200680037992.9, EP0890059, EP06812715.8, JP08-535482, NL1030161C2, US12089720 and patents pending



Green Signage



Customer service and technical support  
 888.747.4LED (888.747.4533)  
 www.SloanLED.com • info@SloanLED.com

Europe: Customer service and technical support:  
 +31 (15) 3641569  
 www.SloanLED.com • europe@SloanLED.com