

RDL-Vertical

LED Refrigeration Display Lighting System

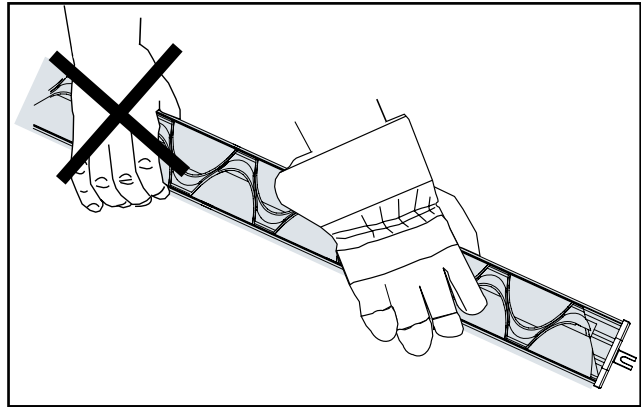
Installation Manual / Instruction Guide

General Information

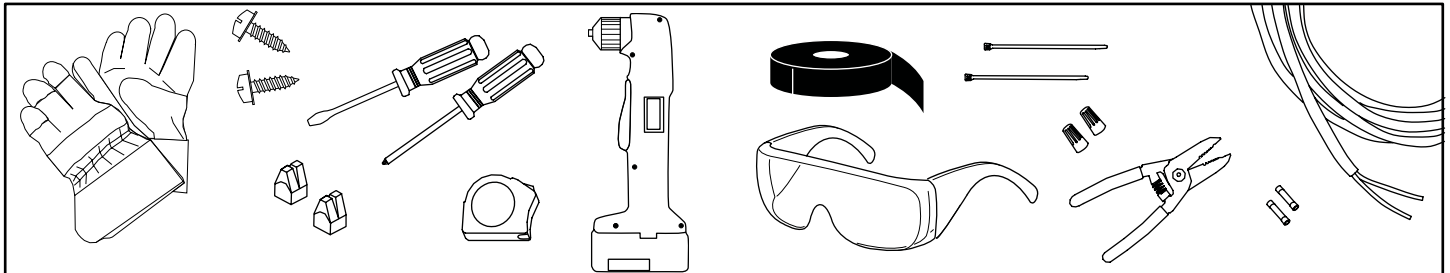
RDL-Vertical is intended for use inside commercial refrigeration cases with packaged foods only. RDL-Vertical LED light should only be used with SloanLED 100 Watt 24 VDC RDL-Power Supply. Use only a damp cloth and mild cleaning agent to clean the RDL-Vertical.

FOR YOUR SAFETY

- Read and observe all NOTES, CAUTIONS and WARNINGS shown throughout these instructions.
- Installation to be performed by factory trained service personnel only.
- For use inside commercial refrigeration cases with packaged foods only.
- Gloves and safety glasses or goggles should be worn while performing installation.
- This product is UL listed for dry and damp locations.
- Electrical Specifications: maximum 1.0 A, 24 VDC, Class 2 circuit.



Tools and Accessories Recommended

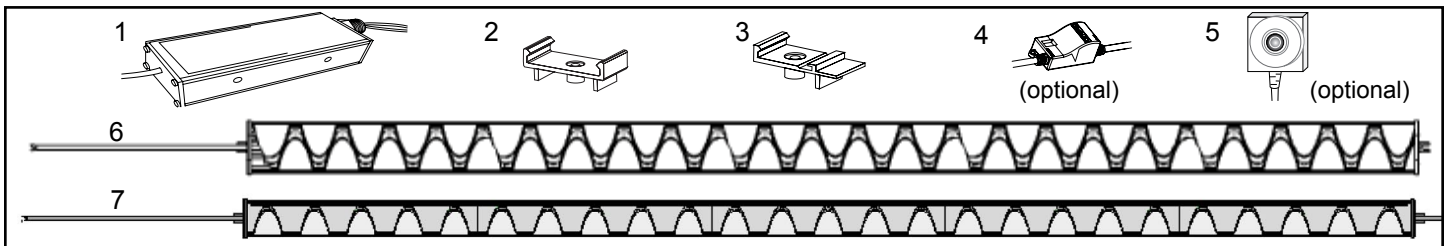


Do not cut or remove existing primary case wiring.

Tools and connections shown are for secondary connections: Gloves, safety glasses, flat and Phillips head screwdrivers, screws, angle drill is required (standard cordless drills will not work), measuring tape, electrical tape, wire strippers, twist-on or push-in UL Listed wire connectors, tie-wraps, and 18 gauge wire.

Items Provided

1. RDL-Power Supply
2. Mounting Clip
3. End Clip
4. RDL-Dimming Controller (optional)
5. Motion Sensor (optional)
6. RDL-Vertical Center
7. RDL-Vertical End



- Check inventory of retrofit equipment prior to dismantling the current lighting system in the refrigerated case.
- Identify required quantity of center and end RDL-Vertical and RDL-Power Supplies.
- One power supply is needed for one to five doors in most configurations. Five door cases with RDL-Vertical T (for 70" door frames) set to MerchandiserMax power setting require two RDL-Power Supplies.



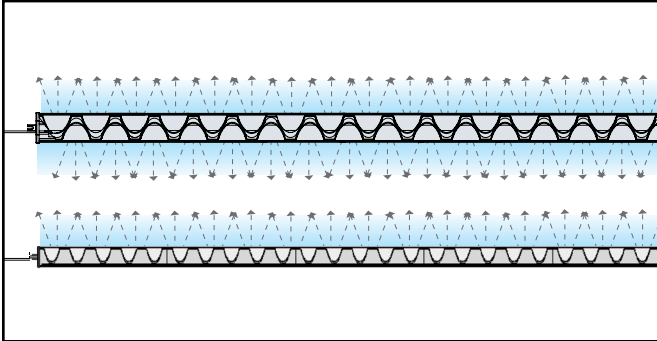
Your single source for LED Innovation, Experience and Selection

RDL-Vertical

LED Refrigeration Display Lighting System

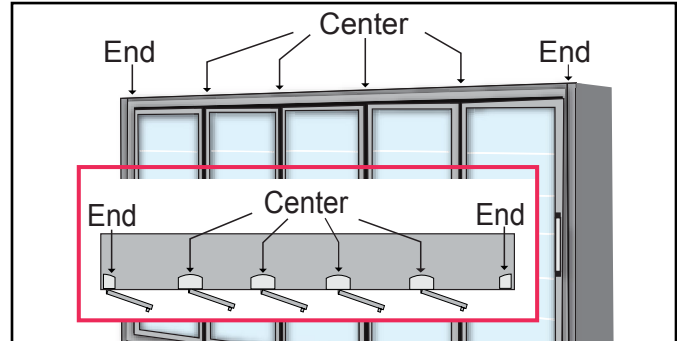
Installation Manual / Instruction Guide

LED Light Directivity



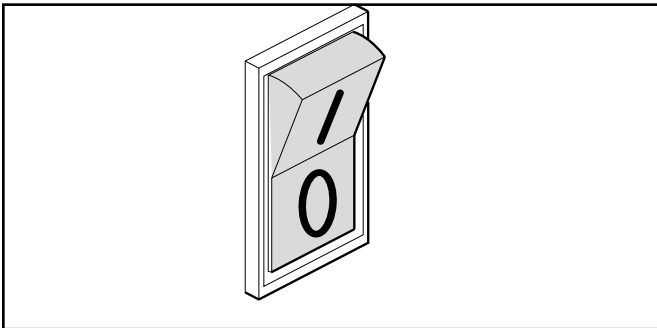
RDL-Vertical Center lights emit light on both sides.
RDL-Vertical End lights emit light in one direction only.

LED Light Placement

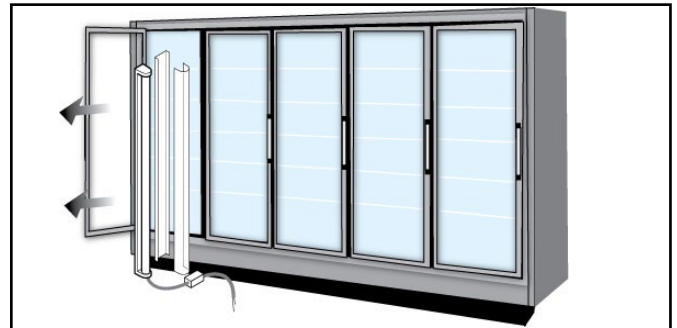


End lights can go on right or left sides of refrigerator case. Note: Pay careful attention to orientation of end light directivity during installation.

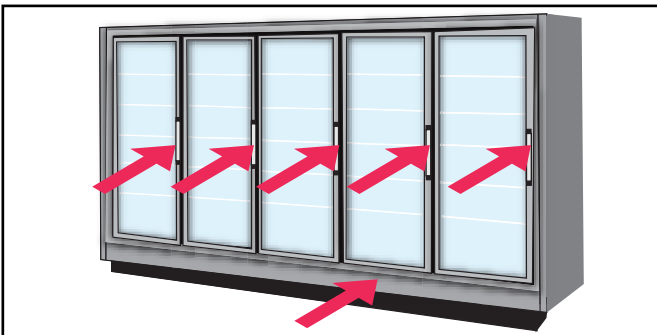
Preparation for Install



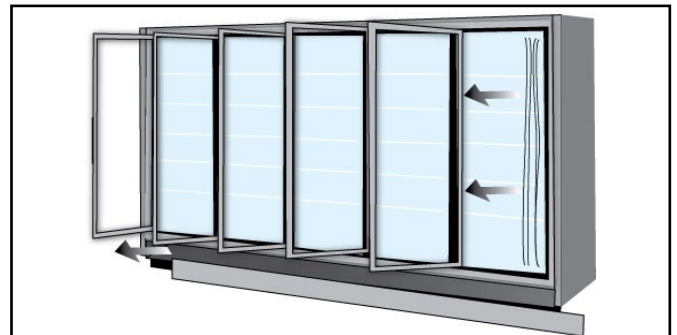
- Warning: Risk of electrical shock. Locate main circuit breaker panel, de-energize, and perform lockout/tagout prior to retrofitting case. All primary wiring must be done by a licensed electrician.**



- Remove fluorescent lamp fixtures on all doors to be retrofitted (metal clips, lens cover, lamp holders, and reflector, if installed).



- Open raceways to expose all primary wiring, secondary wiring, and ballasts. These will either be in the door mullions or behind the lower panel in the electrical raceway, depending on case model type.



- Disconnect both primary and secondary wiring from all ballasts. Remove secondary wiring from refrigerated case.**

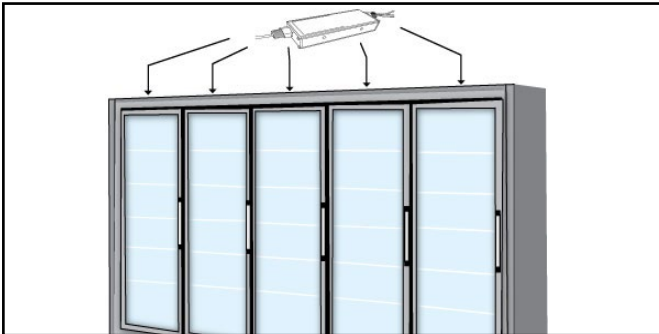


RDL-Vertical

LED Refrigeration Display Lighting System

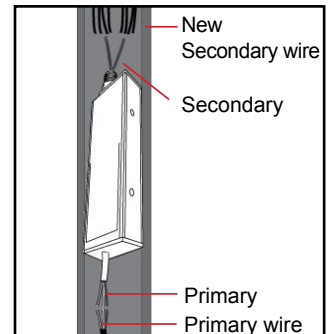
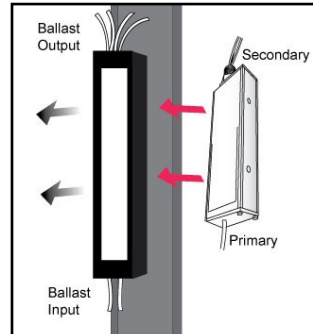
Installation Manual / Instruction Guide

Install



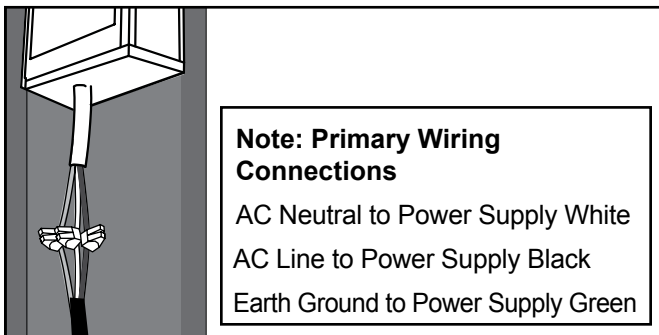
One power supply is needed for one to five doors in most configurations.

Note: RDL-Vertical T (70 in/1675 mm model) requires two RDL-Power Supplies per 5 doors when set on MerchandiserMax setting.



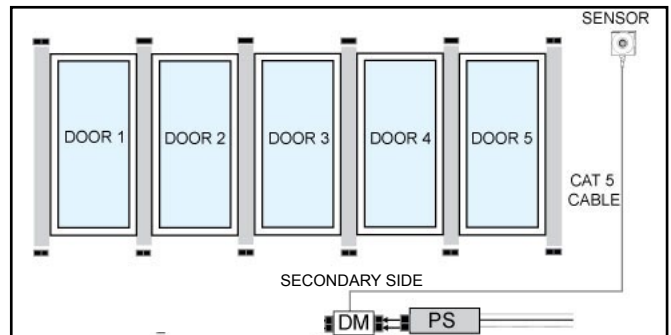
- Remove installed ballast(s). Choose one former ballast location for the RDL-Power Supply to be installed in.

CAUTION: RDL-Power Supplies should not be mounted near any other heat generating element. Mount RDL-Power Supply with two self drilling/self tapping screws through tabs in both end caps.



- Connect 120/240 VAC 50-60 Hz to power supply's primary wires (refer to wire description on RDL-Power Supply label). Use UL listed twist-on or push-in connectors for connections. Follow connector manufacturer's instructions.

CAUTION: All primary connections including grounding must comply with all national and local codes and/or requirements. Have a licensed electrician connect primary wires.



- Installation with optional RDL-Dimming Controller
 - RDL-Dimming Controller is connected to the secondary side of the RDL-Power Supply
 - Cat 5 cable may run behind panel and outside of case if required.

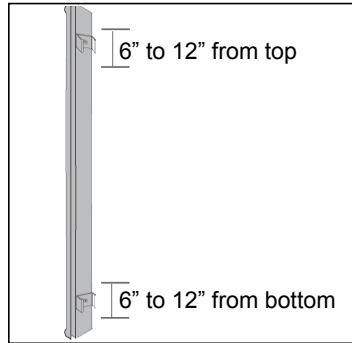
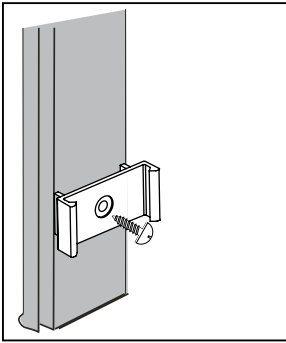
CAUTION: Primary and secondary wiring need to be physically separated inside of the raceway



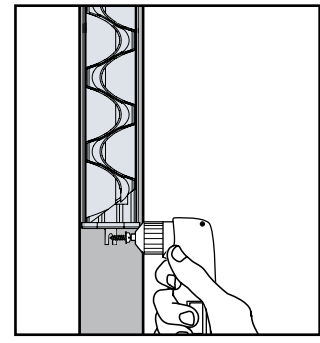
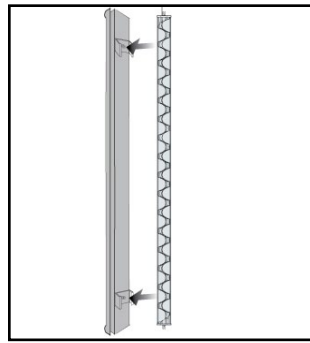
RDL-Vertical

LED Refrigeration Display Lighting System

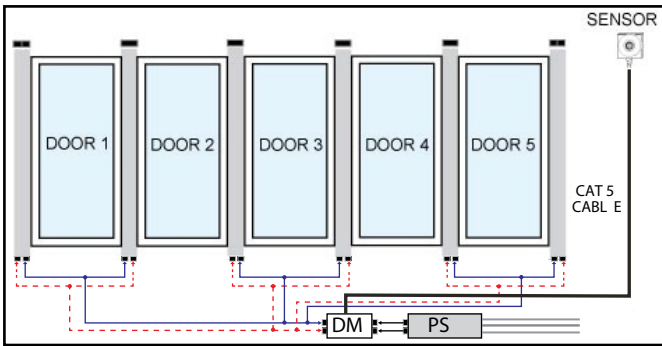
Installation Manual / Instruction Guide



8. Attach mounting clips as shown in diagrams. Use 3/4", self-drilling/ self-tapping, #8 or #10, pan or hex head screws. Stainless steel screws are recommended.



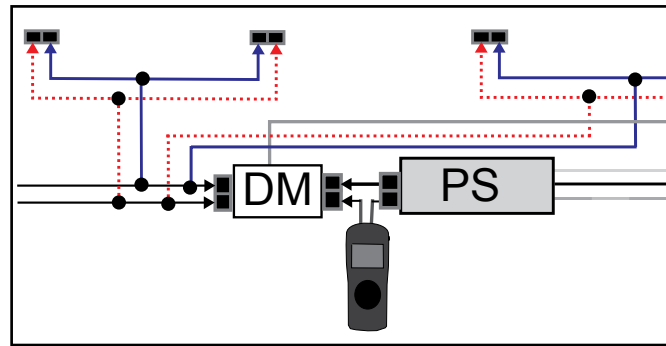
9. Mount RDL-Vertical by snapping into mounting clips. Fix vertical position of lights by screwing a 3/4", self-drilling/ self-tapping, #8 or #10, pan or hex head screw into the mullion through the U-shaped bracket in the bottom end cap.



10. Run new secondary wire from RDL-Power Supply (or RDL-Dimming Controller, if used) through the holes in the door frame mullions (that previously led to the fluorescent lamp holders) to RDL-Vertical.

Route wiring from raceway through holes in door frame mullions for RDL-Power Supplies located behind the lower panel in the electrical raceway.

WARNING: Risk of electrical shock. Unused wires on RDL-Vertical End Lights must be individually capped off or removed.



11. Turn on the system.

- Re-energize the power circuit after the installation is complete.
- Check secondary current of each RDL-Power Supply to ensure it is not overloaded per rating on label.
- Replace all covers and guards that were removed during preparation and installation.



RDL-Vertical

LED Refrigeration Display Lighting System

Installation Manual / Instruction Guide

Power Controller and Dimming Controller Settings

Without Dimming Control

Merchandising Setting (Brightness)

Selectable Duty Cycle output via SW1 and SW2 (Brightness Setting)
 Default Setting from Factory is Standard

SW1	SW2	Brightness Level
OFF	OFF	NA
ON	OFF	Energy Saver
OFF	ON	Standard
ON	ON	MerchandiserMax



Power Controller – 701929



RDL - Dimming Controller – 701890-PWR

With Dimming Control

Merchandising Setting (Brightness)

Selectable Duty Cycle output via SW1 and SW2 (Brightness Level when shopper in area)
 Default Setting from Factory is Standard

SW1	SW2	SW3	SW4	Brightness Level
OFF	OFF	X	X	NA
ON	OFF	X	X	Energy Saver
OFF	ON	X	X	Standard
ON	ON	X	X	MerchandiserMax

Dimming Settings (Dimming)

Selectable Duty Cycle output via SW3 and SW4 (Brightness Level when no shoppers in area)
 Default Setting from Factory is 25%

SW1	SW2	SW3	SW4	Percent of Full Brightness
X	X	OFF	OFF	0%
X	X	ON	OFF	12.5%
X	X	OFF	ON	25%
X	X	ON	ON	50%

Removal Instructions

1. De-energize system as outlined in the Preparation for Install section on page two of this installation manual and undo electrical connections to LED lights.
2. Using a flat tip screwdriver, insert tip between mounting clip and LED light to pry from clip edge.
3. Grab light with a free hand and pull away from mounting clip.
4. Repeat process for the remaining lights. Make sure to continually support the LED lights with a free hand during removal.
5. Open mullions or raceway, remove power supplies.
6. Cap or remove all primary wires.



5725 Olivas Park Drive • Ventura, CA 93003 USA
 805.676.3200 Fax: 805.676.3206
 www.SloanLED.com • info@SloanLED.com

For customer service and technical support, contact
 888.747.4LED (888.747.4533)