



Accessories

SloanLED 12 Volt Power Supply



Modular 60



Self Contained 20

- All SloanLED Power Supplies are rated for Damp Location specification
- Perfect addition to Large Controller (701712-DLO) based system requiring an DC external power supply or as an option when requiring more than 1 amp current on the Multi-Zone Controller
- No fuses to replace or circuit breaker to reset. Short Circuit Protection automatically resets when short condition is no longer present
- Simple primary hook-ups and 12 Volt DC Class 2 outputs
- Simple secondary hookups - no minimum load, no load balancing and no dip switches
- Proven reliability, rugged housings
- Limited warranty of up to 5 years

Item Description	LED Power Supplies	
	Self Contained 20	Modular 60
Part Number	701680	701507-MOD
Nominal Input Volts	120/240 Volts	120/240 Volts
Input Current	.3 Amps	1.0 Amps
Output Voltage	12 VDC	12 VDC
Output Current	1.67 Amps	5 Amps
Power Output	20 Watts	60 Watts
Overall Dimensions	3.75"L X 1.6"W X 1"H	9"L X 2.5"W X 2"H

Jumper Cables



- Can be used anywhere in the LiquaLED system, including between Cluster Lights, Bullet Lights and Perimeter Lights
- Two lengths (2' and 5') are available
- Both versions contain the same Guardian Overmold Connector System found in our other LiquaLED products




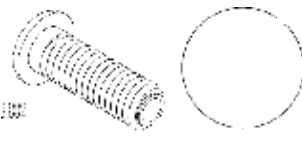
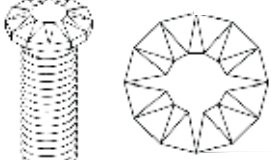


Accessories

Bullet Light Lenses



- Easy to install
- Three styles to choose from
- Proven reliability, rugged molded acrylic

Features	Standard Lens	Wide Flange Lens	Wide Flange Faceted Lens
Style			
Flange Diameter	0.530"	0.600"	0.580"
Mounting Method	Nut on threaded and / or press fit using ribs on shaft		
Drill Size	W Drill (0.386")		
Length (bottom of flange to end of threads)	1.127"		
Length of non-threaded ribbed section (below flange)	0.284"	0.125"	
	Part Numbers		
Lens with Nut	400372-N	400372-WN	400372-WFN
Lens only	400372	400372-W	400372-WF
Nut only	400338	400338	400338
Standard (0.070") O-Ring only	400417	400417	400417
Thicker (0.103") O-Ring only	NA	400510	400510

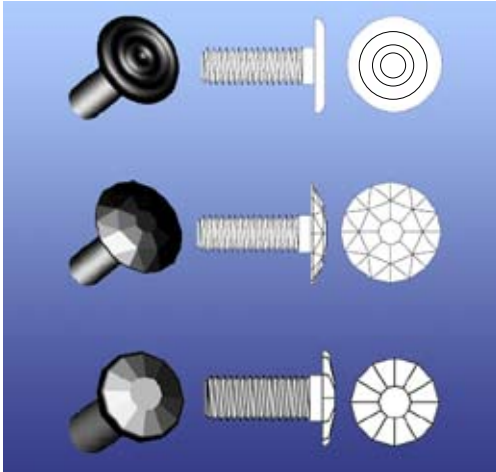




Accessories

Custom Bullet Light Lenses

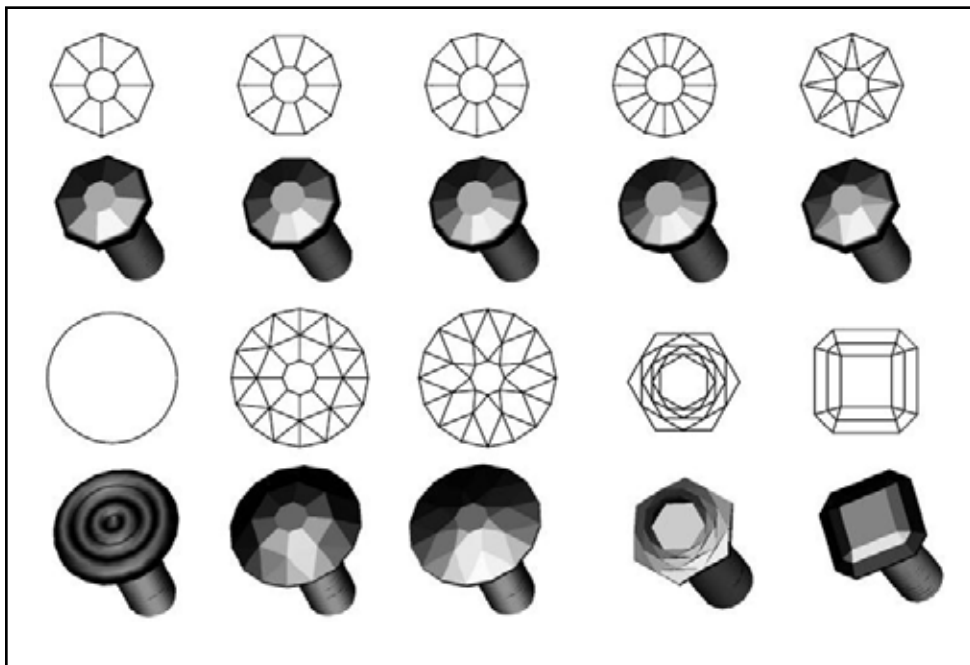
Enhance your brand with custom bullet lenses



- Easy to install
- Customize your look - choose shape and cut
- Wide, faceted octagonal lens
- Wide, low-profile textured/faceted lens
- Larger presence
- Less discomfort when used in backrest
- Proven reliability, rugged molded acrylic

For more information contact your Territory Sales Manager or SloanLED Customer Service representative.

Example cuts and shapes





Accessories

Miscellaneous Accessories

Part Number	Description
400352	1.6 Amp, 250 V Fuse (for use with 701678-DLO Control 40)
701819	120VAC to 12VAC, 1 amp Wall Mount Power Supply (for trade shows or demo use)
701883	120VAC to 12VAC, 2 amp Wall Mount Power Supply (for trade shows or demo use)
701786	LiquaLED Tester
400524	LiquaLED Tester Instructions
410127	Guardian Adapter (for connecting overmolded lights to non-overmolded controllers)

